



PRODUCTS

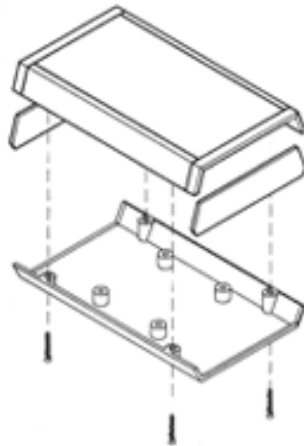
- [Products Home](#)
- [Size Table](#)
- [Accessories](#)
- [Customization](#)
- [A-Series](#)
- [C-Series](#)
- [CA-Series](#)
- [CH-Series](#)
- [G-Series](#)
- [H-Series](#)
- [M-Series](#)
- [R-Series](#)
- [RX-Series](#)
- [S-Series](#)
- [SL-Series](#)

Products: A-Series A-21



MODEL	LENGTH	WIDTH	HEIGHT	DRAWINGS	
				(.pdf)	(.dwg)
A-21	4.250"	2.600"	1.125"		

FEATURES

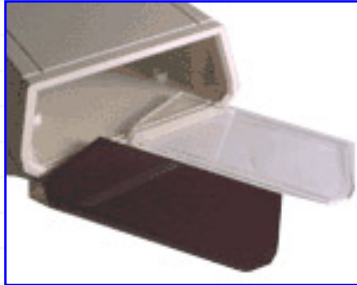


- Four-piece design (top, bottom, two end panels)
- Interchangeable end panels ([see options below](#))
- Circuit board mounting bosses
- Assembly with four screws
- Customization available
 - four insert areas/I-Plates (top, bottom, two end panels)
 - machining
 - pad printing

COLORS



ACCESSORIES (Click an accessory for compatible models and part numbers)



Clear & Infrared Faceplates



DB 9 and DB 25 Pin Cutouts



9V Battery Compartment



Pocket Clip



Non-Skid Feet (P/N 52)

[RETURN TO TOP](#)

[Home](#) | [About SERPAC](#) | [Products](#) | [Accessories](#) | [Customizations](#) | [Distributors](#) | [Buy Now!](#) | [Contact Us](#)

[PRODUCTS: A-Series](#) | [C-Series](#) | [CA-Series](#) | [CH-Series](#) | [G-Series](#) | [H-Series](#) | [M-Series](#) | [R-Series](#) | [S-Series](#) | [SL-Series](#)

© 2004, SERPAC Electronic Enclosures. All Rights Reserved